

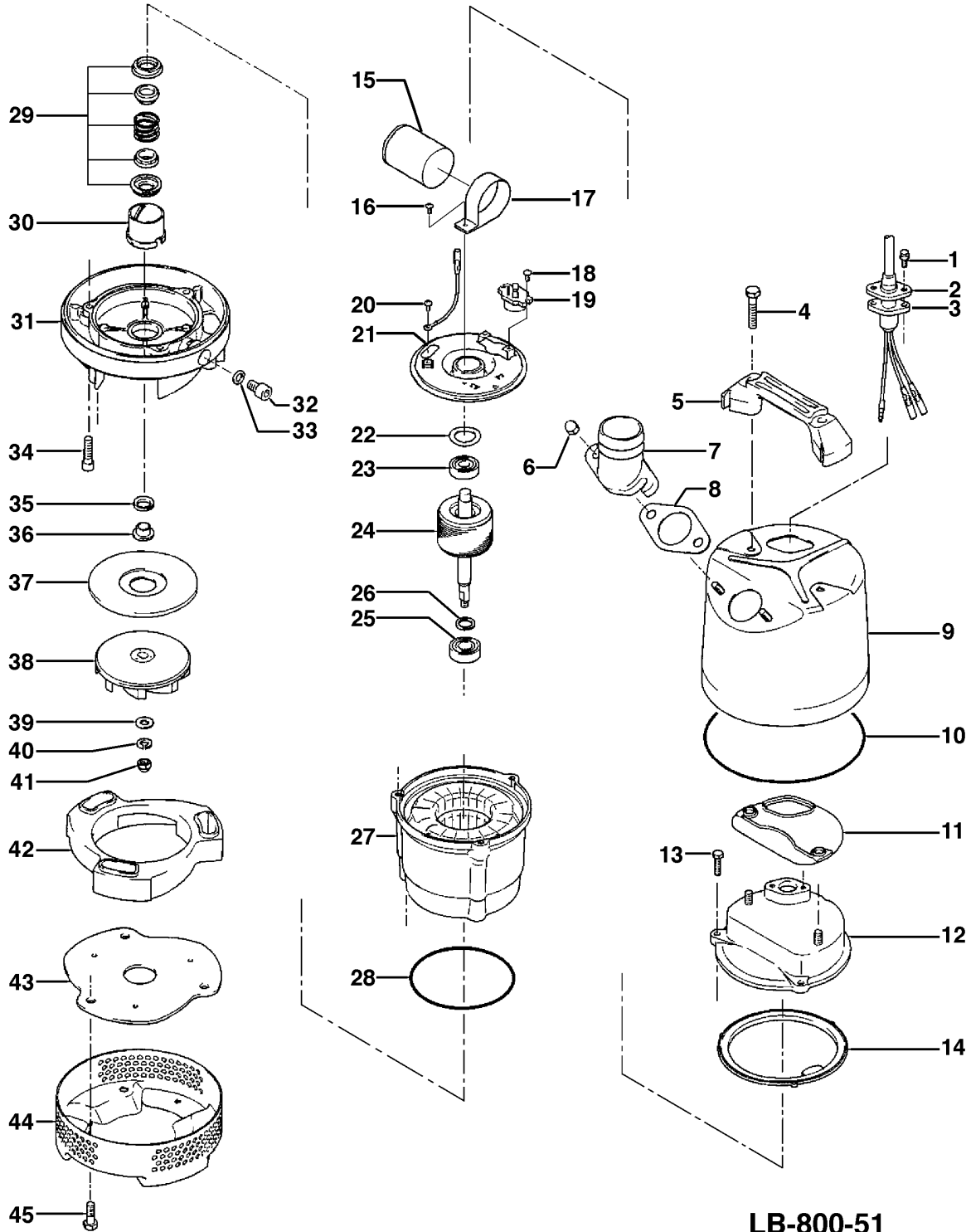
**LB-800-51**

Kontroll-Nr. --

2015-03-24 V.16 / 1.10.2013

LB-800-51			
Item	Item no.	Description	Quant.
1	140-427-17	Pan Screw M5x15 SUS304 (EN X5CrNi18-10) Stainless Steel	2
2	003-190-10	Gland EN X5CrNiMb17-2-2	1
3	001-007-43	Cabtyre Cable Set (10m) 230V-50HZ(EUR) H07RN3Cx1mm2(CEE-W/PLUG) LB(HAR)	1
4	140-000-13	Hex.Bolt (w/Plain Washer) M8x65 SUS304 (EN X5CrNi18-10) Stainless Steel	2
5	068-000-06	Handle LB-250/480-52/62 Resin	1
6	141-144-10	Flanged Hex. Nut M8 SUS304 (EN X5CrNi18-10) Stainless Steel	2
7	032-000-12	Hose Coupling 50mm(LB-480-52/62 Type) ADC	1
7	032-000-23	Hose Coupling (for EUR) BSPT-2, LB-480 ADC	1
8	121-587-17	Packing LB-250/480-51/61 NBR	1
9	065-000-22	Outer Cover SPC	1
10	122-453-16	O-Ring 172xd2.7 NBR	1
11	121-434-18	Packing LB3-250/480 Synthetic Rubber	1
12	051-000-22	Mtor Head Cover ADC	1
13	140-396-16	Hex.Bolt (w/Plain Washer) M6x20 SUS304 (EN X5CrNi18-10) Stainless Steel	3
14	121-000-72	Packing d121xd140x2.8t NBR	1
15	076-000-31	Capacitor 80MF-250VAC(d50x85L)	1
16	143-086-22	Pan Screw (w/Spring Washer) M4x8 SWRM	1
17	127-000-34	Capacitor Fixing Plate d50 SPC	1
18	143-127-13	Pan Screw (w/Spring Washer/Plain Washer) M4x8 SWRM	2
19	053-000-28	Motor Protector 230V-50Hz KA142-LPT L25F (T.C)	1
20	140-000-44	Hex.Bolt M4x8 SWRM	1
21	050-000-48	Motor Bracket SECD	1
22	142-192-16	Wave Washer #6201 SK-5	1
23	052-100-15	Bearing 6201ZZC3	1
24	055-001-26	Rotor w/Bearing	1
25	052-152-12	Bearing 6302ZZC3	1
26	061-175-19	Bearing Collar d15xd23x1.6t SPC	1
27	056-004-16	Stator 220/230/240V-50HZ w/Frame	1
28	122-133-17	O-Ring G-110 NBR	1
29	025-000-45	Mechanical Seal W-14VCC CCBN	1
30	030-000-09	Oil Lifter W-14VL Resin	1
31	029-000-72	Oil Casing LB-750-51/61 ADC	1
32	035-124-12	Air Tightness Test Plug M10x15 SUS304	1
33	121-246-11	Packing d10.3xd16x2t PE	1
34	140-252-19	Hex. Socket Cap Bolt M6x20 SUS304 (EN X5CrNi18-10) Stainless Steel	3
35	122-441-11	V-Ring VR-14 NBR	1
36	071-292-14	Shaft Sleeve LB3-250/480 SUS304 (EN X5CrNi18-10) Stainless Steel	1
37	031-000-12	Wear Ring LSC1.4S-51/61 SPC+Urethane Rubber	1
38	021-007-52	Impeller (50Hz) 50Hz Urethane Rubber	1
38	021-007-56	Impeller (60Hz) LB-800-61 Urethane Rubber	1
39	142-127-10	Plain Washer M8 SUS304 (EN X5CrNi18-10) Stainless Steel	1
40	142-163-21	Spring Washer M8 SUS316 (DIN 1.4401) Stainless Steel	1
41	141-030-12	Hex.Cap Nut M8 SUS304 (EN X5CrNi18-10) Stainless Steel	1
42	020-000-43	Pump Casing LB-750 BR+NR	1
43	022-001-27	Suction Cover LB-750 SPC	1
44	023-547-18	Strainer Stand LB-250/480-51/61 SPC	1
45	140-000-14	Hex.Bolt (w/Plain Washer) M8x20 SUS304 (EN X5CrNi18-10) Stainless Steel	3
	173-001-20	Packing & O-Ring Set	1
	##oilVG32	ml Turbine Oil ISO VG32	155

# Exploded View LB-800-51



**LB-800-51**