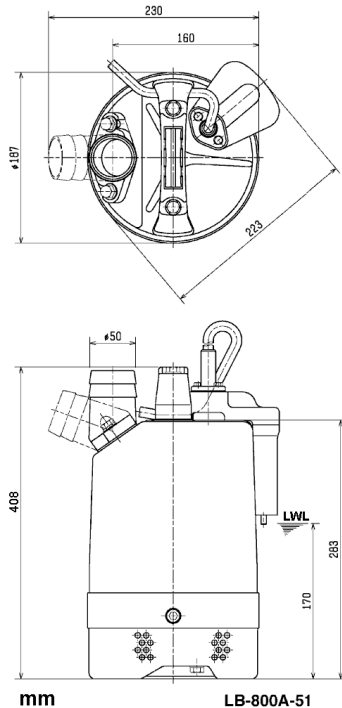


Data sheet LB-800A-51



LWL: Lowest running water level

Specification

Automatic electric submersible pump
Degree of protection IP 68
Depth of submersion max. 10 m
Type of impeller semi-vortex
Max. solid handling 6 mm
Suitable for:
spring-/rain-/font water, water containing sand

Electric motor

Dry-type submersible induction motor
Insulation class E 2Poles 2730 1/min
Starting mode Directly
Rated voltage 230 V 50 Hz 1~
Power uptake 1,13 kW
Rated power 0,75 kW
Rated current 5 A
Start current 12,3 A

Cable

10m H07RN-F 3Cx1mm²

Motor Protection

Circle thermal protector
(snap-action bi-metal device)

Shaft seal

Double inside mechanical seal in oil bath
additional lubrication by oil lifting device

Primary seal

Silicon carbide on silicon carbide

Secondary seal

Carbon on ceramic

Bearings

Shielded ball bearings, maintenance-free

Materials

| | |
|-------------|------------------------|
| Impeller | Urethane rubber |
| Pump casing | BR + Natural Rubber |
| Motor Frame | Aluminium die casting |
| Shaft | Stainless steel SUS403 |

Discharge size

2" (50mm) BS-Coupling (threaded flange)

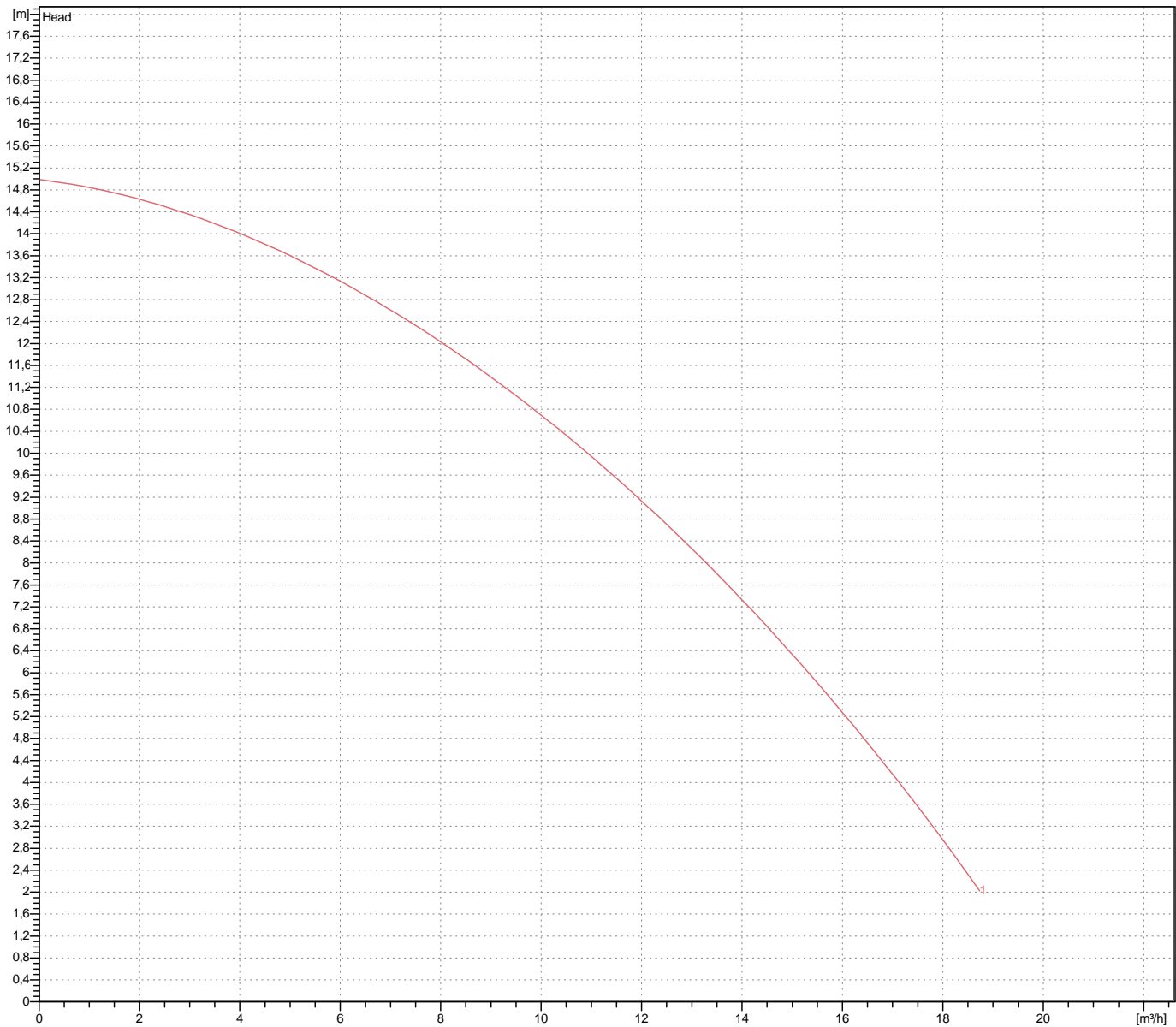
Weight

13,8 kg (dry weight of the pump only without cable)

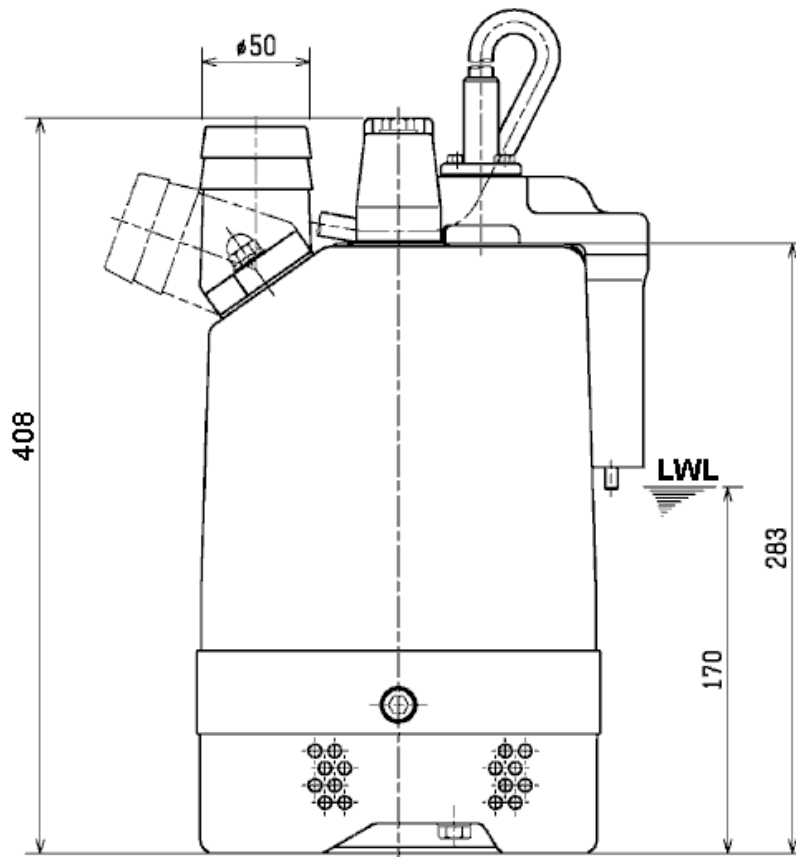
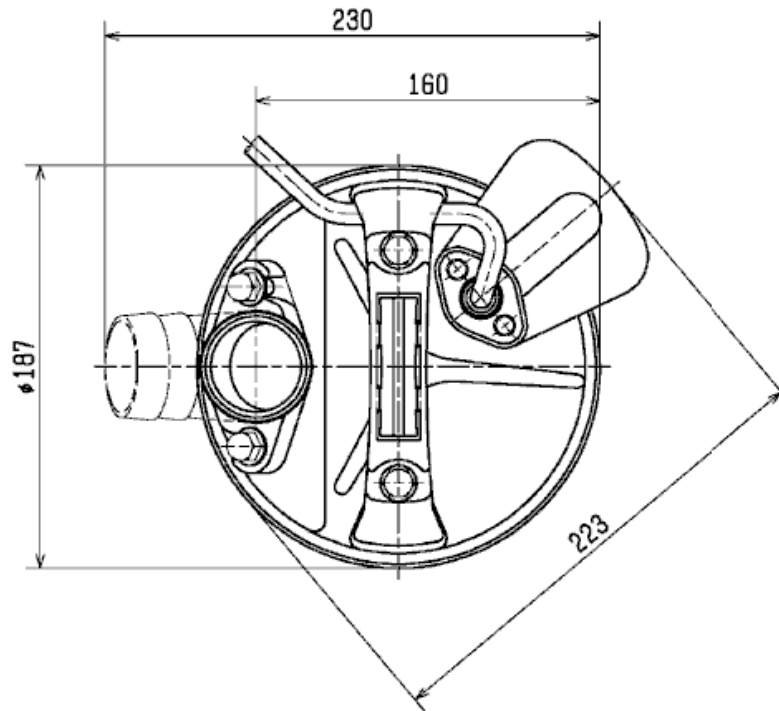
Performance curve

LB-800-51

| | |
|------------------|------------------------|
| Discharge port | 2" |
| Head | 15,0 m |
| Flow | 18,7 m ³ /h |
| Rated power | 0,75 kW |
| Power input | 1,13 kW |
| Phases | 1~ |
| Voltages | 230 V |
| Frequency | 50 Hz |
| Rated current | 5 A |
| Starting current | 12,30 A |
| Number of poles | 2 |
| Speed | 2730 1/min |
| Starting mode | Directly |
| Insulation class | E |



Dimensions LB-800A-51



mm

LB-800A-51

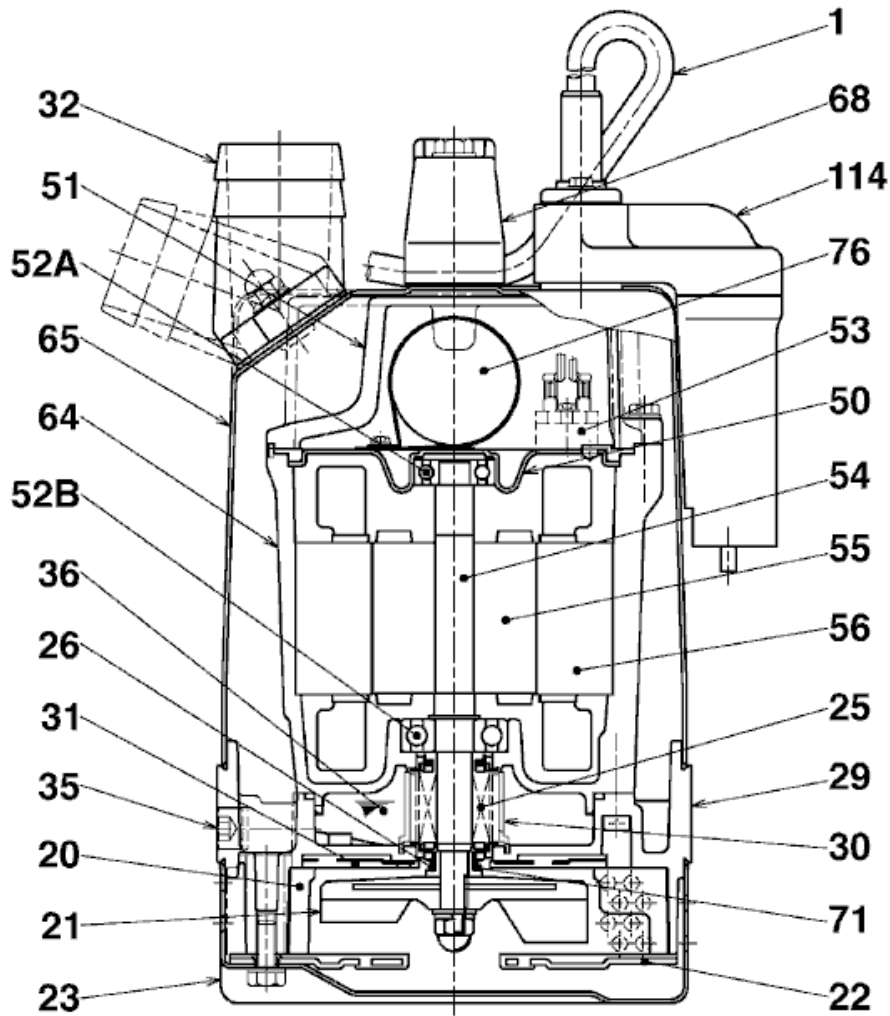
CWL: Continuous running water level
LWL: Lowest running water level

 **TSURUMI PUMP**

Tsurumi Europe GmbH
05.09.2014 V.16 / 1.10.2013

Heltorfer Str. 14 * 40472 Düsseldorf * Germany
Tel.: +49-211-4179373 sales@tsurumi.eu
Fax: +49-211-4791429 www.tsurumi.eu

Sectional drawing LB-800A-51



LB-800A-51

| No. | Description | Remark | No. | Description | Remark |
|-----|-----------------|-------------------------------|-----|-------------------------|------------------------|
| 1 | Cable | H07RN-F | 52B | Lower bearing | 6302ZZC3 |
| 20 | Pump casing | BR + Natural Rubber | 53 | Miniature protector | . |
| 21 | Impeller | Urethane rubber | 54 | Shaft | Stainless steel SUS403 |
| 22 | Suction cover | Steel plate + Urethane rubber | 55 | Rotor | . |
| 23 | Strainer | Steel plate | 56 | Stator | . |
| 25 | Mechanical seal | W-14VL | 64 | Motor Frame | Aluminium die casting |
| 26 | V-ring | NBR | 65 | Outer Cover | Steel plate |
| 29 | Oil casing | Aluminium alloy casting | 68 | Handle | Plastic |
| 30 | Oil distributor | Plastic | 71 | Shaft protection sleeve | Stainless steel SUS304 |
| 31 | Attrition plate | Urethane rubber | 76 | Condenser | . |
| 32 | Pressure socket | Aluminium die casting | 114 | Electrode device | SBR |
| 35 | Oil screw | Stainless steel SUS304 | | | |
| 36 | Lubricant | Turbine oil (ISO VG32) | | | |
| 50 | Main cover | Steel plate | | | |
| 51 | Main cover | Aluminium die casting | | | |
| 52A | Upper bearing | 6201ZZC3 | | | |