

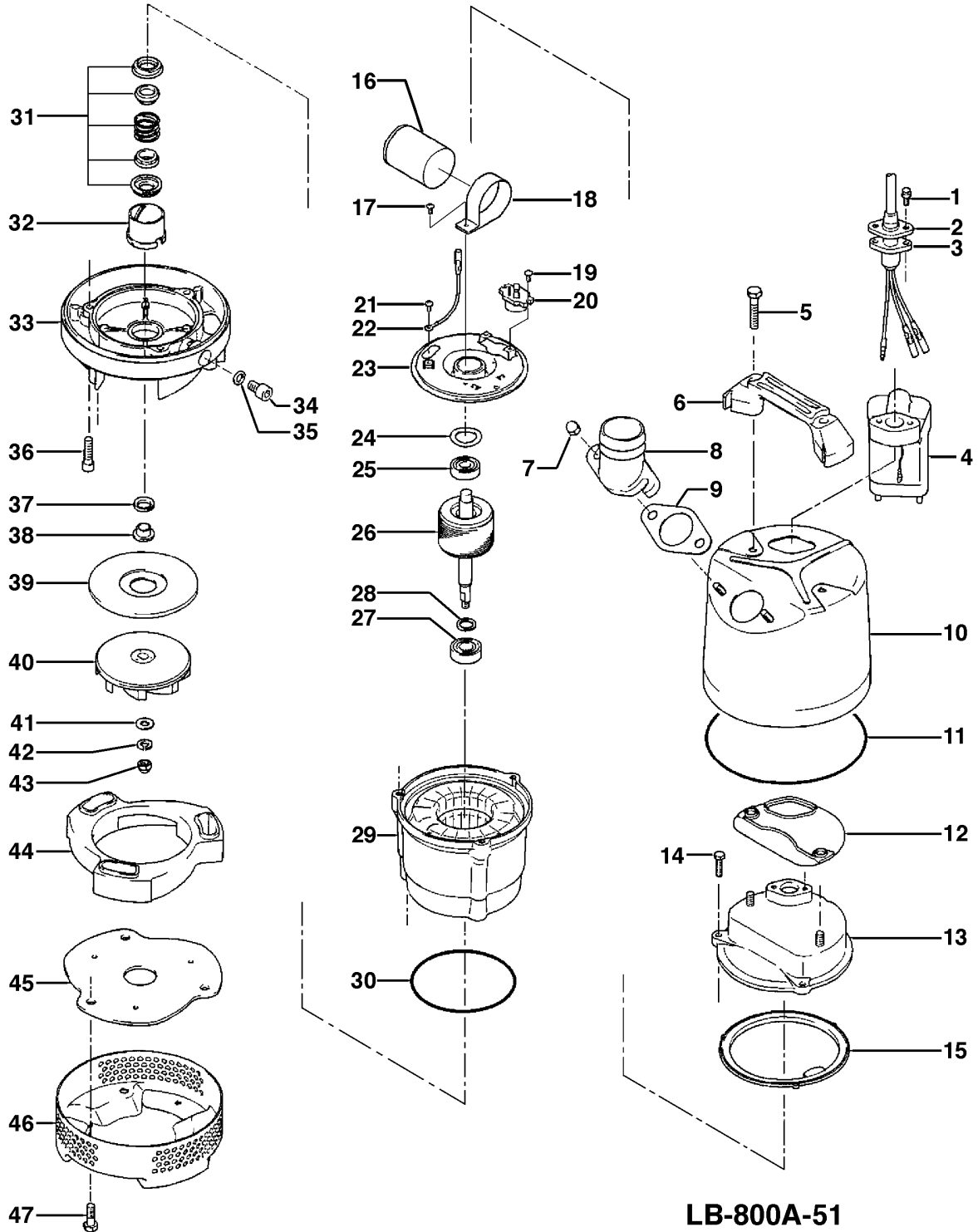
**LB-800A-51**

Kontroll-Nr. --

2015-03-24 V.16 / 1.10.2013

LB-800A-51			
Item	Item no.	Description	Quant.
1	140-446-12	Hex.Bolt (w/Plain Washer) M6x38 SUS304 (EN X5CrNi18-10) Stainless Steel	2
2	003-190-10	Gland EN X5CrNiMb17-2-2	1
3	001-007-44	Cable Set (10m) 220/230/240V-50HZ(EUR) H07R-F3Cx1mm2 LBD(HAR)	1
4	114-000-79	Relay Unit EL-2 Type(200V)	1
5	140-000-13	Hex.Bolt (w/Plain Washer) M6x65 SUS304 (EN X5CrNi18-10) Stainless Steel	2
6	068-000-06	Handle LB-250/480-52/62 Resin	1
7	141-144-10	Flanged Hex. Nut M6 SUS304 (EN X5CrNi18-10) Stainless Steel	2
8	032-000-23	Hose Coupling (for EUR) BSPT-2, LB-480 ADC	1
8	032-000-12	Hose Coupling 50mm(LB-480-52/62 Type) ADC	1
9	121-587-17	Packing LB-250/480-51/61 NBR	1
10	065-000-22	Outer Cover SPC	1
11	122-453-16	O-Ring 172xd2.7 NBR	1
12	121-434-18	Packing LB3-250/480 Synthetic Rubber	1
13	051-000-22	Motor Head Cover ADC	1
14	140-396-16	Hex.Bolt (w/Plain Washer) M6x20 SUS304 (EN X5CrNi18-10) Stainless Steel	3
15	121-000-72	Packing d121xd140x2.8t NBR	1
16	076-000-31	Capacitor 80MF-250VAC(d50x85L)	1
17	143-086-22	Pan Screw (w/Spring Washer) M4x8 SWRM	1
18	127-000-34	Capacitor Fixing Plate d50 SPC	1
19	143-127-13	Pan Screw (w/Spring Washer/Plain Washer) M4x8 SWRM	2
20	053-000-28	Motor Protector 230V-50Hz KA142-LPTL25F (T.C)	1
21	140-000-44	Hex.Bolt M4x8 SWRM	1
22	009-000-72	Earth Terminal AWG16x150L	1
23	050-000-48	Motor Bracket SECD	1
24	142-192-16	Wave Washer #6201 SK-5	1
25	052-100-15	Bearing 6201ZZC3	1
26	055-001-26	Rotor w/Bearing	1
27	052-152-12	Bearing 6302ZZC3	1
28	061-175-19	Bearing Collar d15xd23x1.6t SPC	1
29	056-004-16	Stator 220/230/240V-50HZ w/Frame	1
30	122-133-17	O-Ring G-110 NBR	1
31	025-000-45	Mechanical Seal W-14VCC CCBN	1
32	030-000-09	Oil Lifter W-14VL Resin	1
33	029-000-72	Oil Casing LB-750-51/61 ADC	1
34	035-124-12	Air Tightness Test Plug M10x15 SUS304	1
35	121-246-11	Packing d10.3xd16x2t PE	1
36	140-252-19	Hex. Socket Cap Bolt M6x20 SUS304 (EN X5CrNi18-10) Stainless Steel	3
37	122-441-11	V-Ring VR-14 NBR	1
38	071-292-14	Shaft Sleeve LB3-250/480 SUS304 (EN X5CrNi18-10) Stainless Steel	1
39	031-000-12	Wear Ring LSC1.4S-51/61 SPC+Urethane Rubber	1
40	021-007-52	Impeller (50HZ) 50Hz Urethane Rubber	1
40	021-007-56	Impeller (60HZ) LB-800-61 Urethane Rubber	1
41	142-127-10	Plain Washer M6 SUS304 (EN X5CrNi18-10) Stainless Steel	1
42	142-163-21	Spring Washer M6 SUS316 (DIN 1.4401) Stainless Steel	1
43	141-030-12	Hex.Cap Nut M6 SUS304 (EN X5CrNi18-10) Stainless Steel	1
44	020-000-43	Pump Casing LB-750 BR+NR	1
45	022-001-27	Suction Cover LB-750 SPC	1
46	023-547-18	Strainer Stand LB-250/480-51/61 SPC	1
47	140-000-14	Hex.Bolt (w/Plain Washer) M6x20 SUS304 (EN X5CrNi18-10) Stainless Steel	3
	173-001-20	Packing & O-Ring Set	1
	##oilVG32	ml Turbine Oil ISO VG32	155

# Exploded View LB-800A-51



**LB-800A-51**