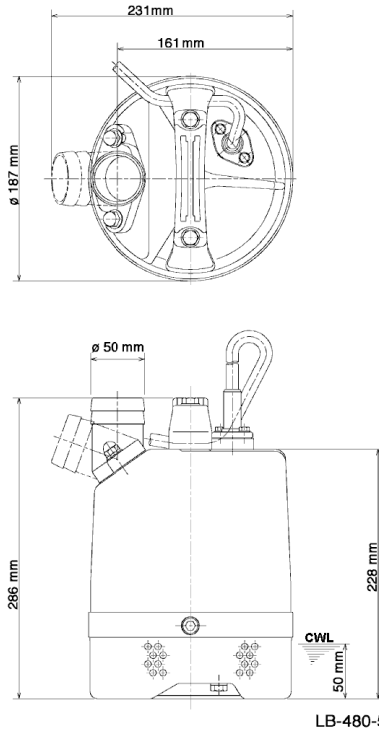
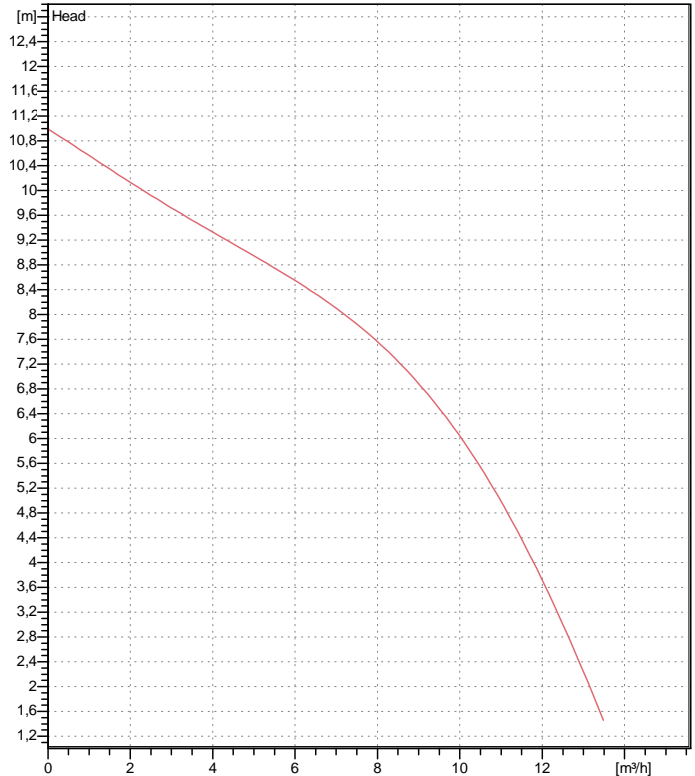


Data sheet LB-480-51/52



LB-480-51/52

CWL: Continuous running water level



Specification

Electric submersible pump
Degree of protection IP 68
Depth of submersion max. 20 m
Type of impeller semi-vortex
Max. solid handling 6 mm
Suitable for:
spring water, rain water, font water, water containing sand

Electric motor

Dry-type submersible induction motor
Insulation class E 2Poles 2610 1/min
Starting mode Directly
Rated voltage 230 V 50 Hz 1~
Power uptake 0,59 kW
Rated power 0,48 kW
Rated current 2,9 A
Start current 6,8 A

Cable

10m H07RN-F 3Cx1mm²

Motor Protection

Circle thermal protector
(snap-action bi-metal device)

Shaft seal

Double inside mechanical seal in oil bath
additional lubrication by oil lifting device

Primary seal

Silicon carbide on silicon carbide

Secondary seal

Carbon on ceramic

Bearings

Shielded ball bearings, maintenance-free

Materials

Impeller	Urethane rubber
Pump casing	Polypropylene / polyethylene
Motor Frame	Aluminium die casting
Shaft	Stainless steel SUS403

Discharge size

2" (50mm) BS-Coupling (threaded flange)

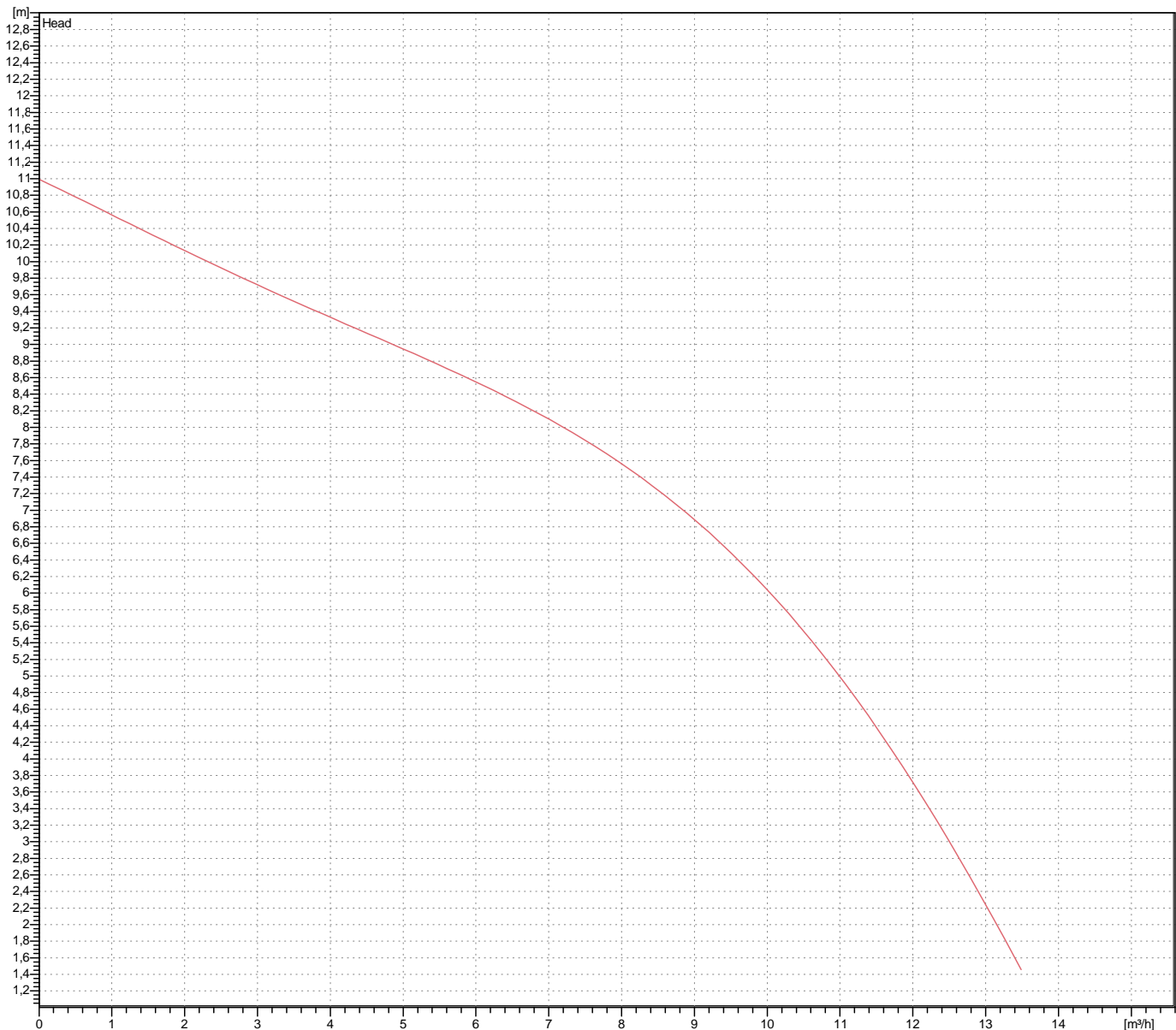
Weight

10,4 kg (dry weight of the pump only without cable)

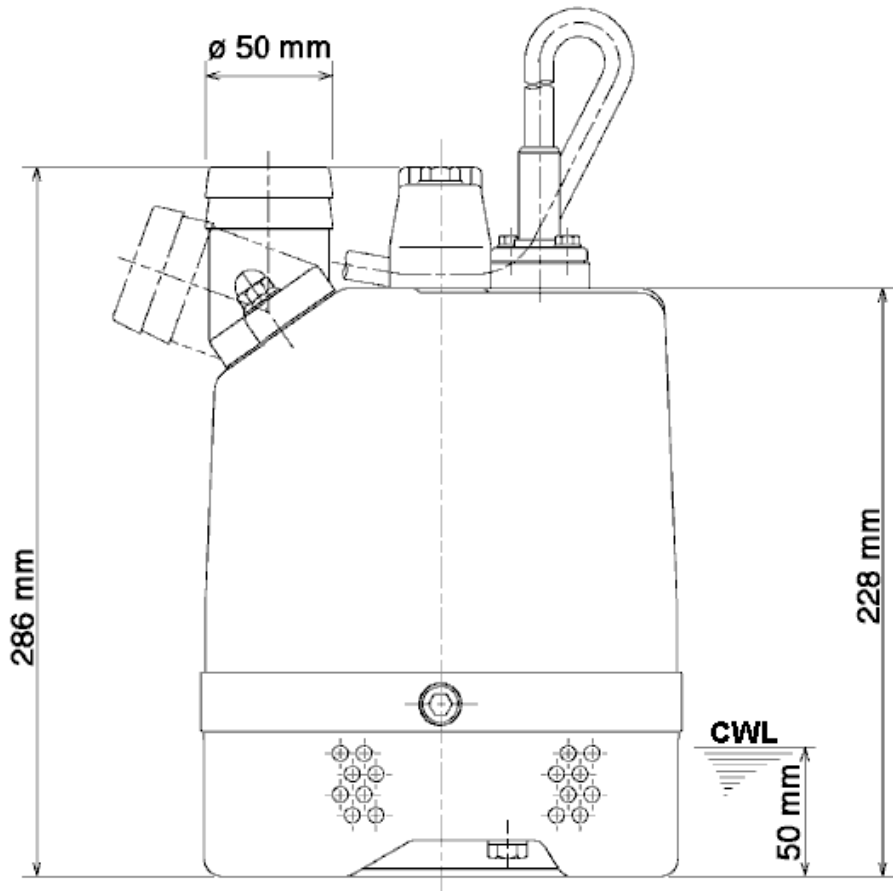
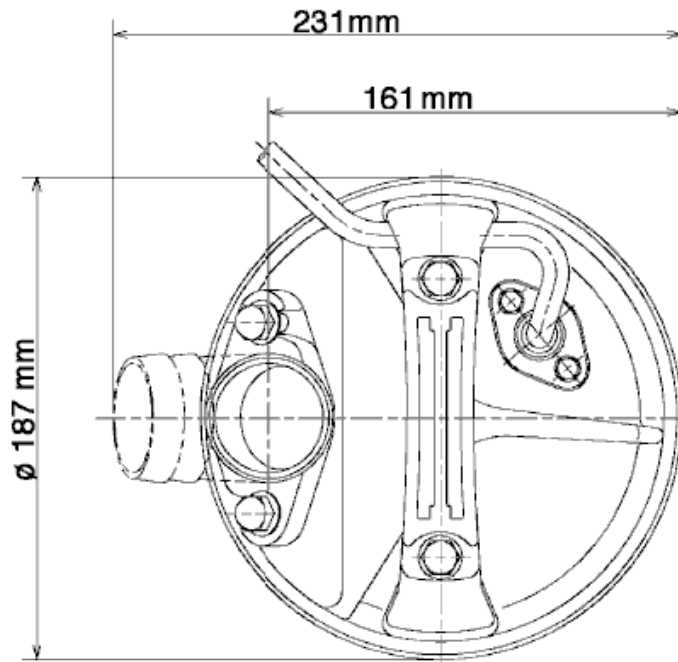
Performance curve

LB-480-51/52

Discharge port	2"
Head	11,0 m
Flow	13,5 m ³ /h
Rated power	0,48 kW
Power input	0,59 kW
Phases	1~
Voltages	230 V
Frequency	50 Hz
Rated current	2,9 A
Starting current	6,79 A
Number of poles	2
Speed	2610 1/min
Starting mode	Directly
Insulation class	E



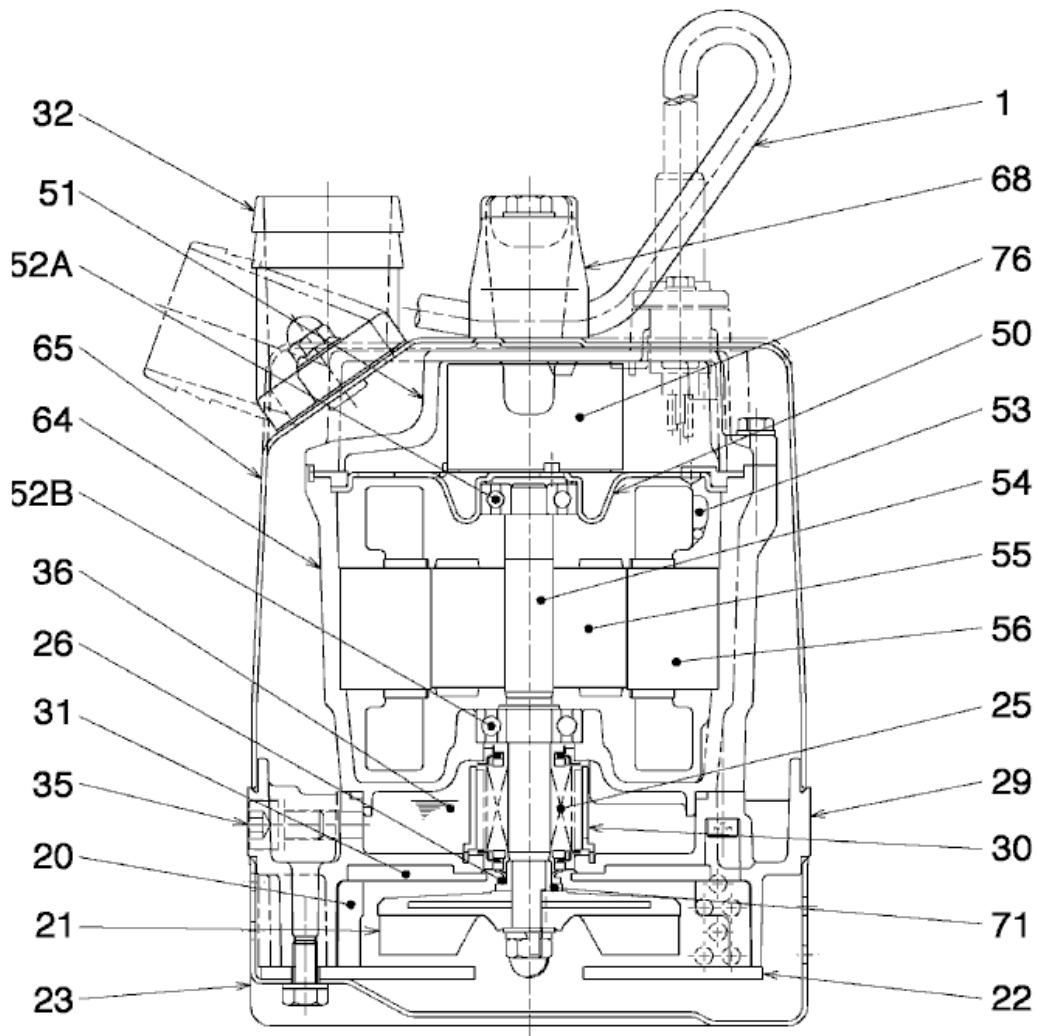
Dimensions LB-480-51/52



LB-480-51/52

CWL: Continuous running water level
LWL: Lowest running water level

Sectional drawing LB-480-51/52



LB-480-51/52

No.	Denomination	Remark	No.	Denomination	Remark
1	Cable	H07RN-F	52B	Lower bearing	6202ZZC3
20	Pump casing	Poly propylene / polyethylene	53	Miniature protector	.
21	Impeller	Urethane rubber	54	Shaft	Stainless steel SUS403
22	Suction cover	Steel plate	55	Rotor	.
23	Strainer	Steel plate	56	Stator	.
25	Mechanical seal	W-14VL	64	Motor Frame	Aluminium die casting
26	V-ring	Butadiene-acrylonitrile-rubber	65	Outer Cover	Steel plate
29	Oil casing	Aluminium alloy casting	68	Handle	Steelplate and rubber
30	Oil distributor	Plastic	71	Shaft protection sleeve	Stainless steel SUS304
31	Attrition plate	Poly propylene / polyethylene	76	Condenser	.
32	Pressure socket	Aluminium die casting			
35	Oil screw	Stainless steel SUS304			
36	Lubricant	Turbine oil (ISO VG32)			
50	Motor cover	Steel plate			
51	Main cover	Aluminium die casting			
52A	Upper bearing	6201ZZC3			