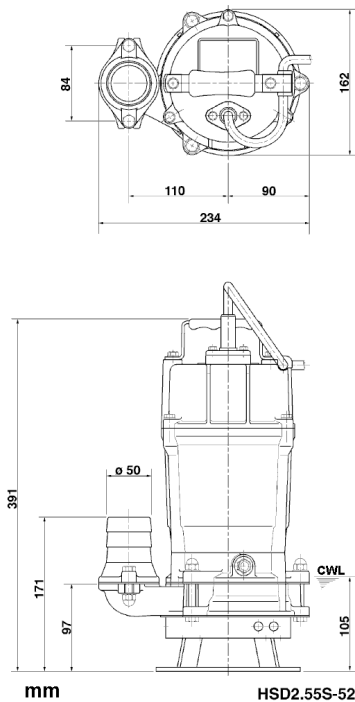
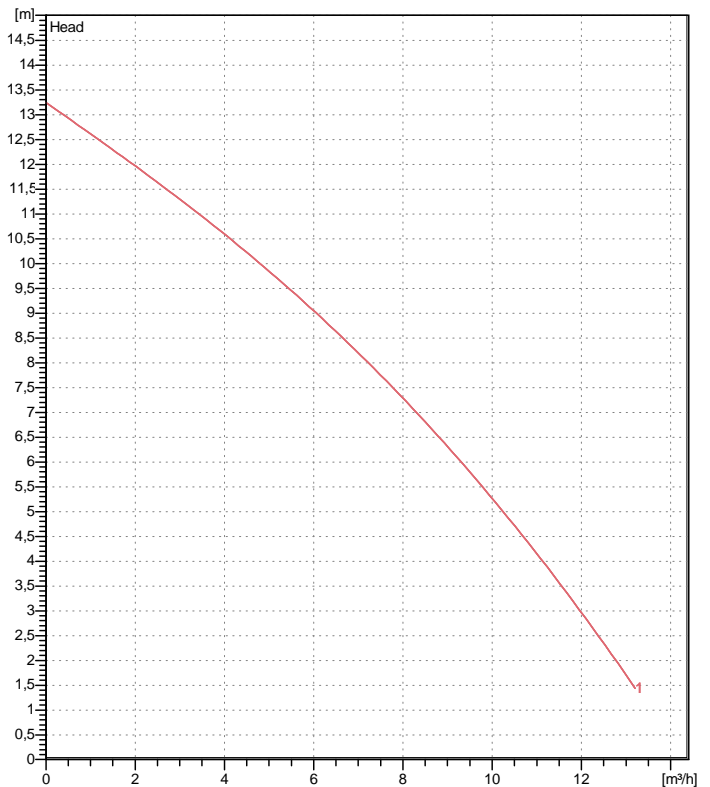


# Data sheet HSD2.55S-52



CWL: Continuous running water level



## Specification

Electric submersible pump  
 Degree of protection IP 68  
 Depth of submersion max. 10 m  
 Type of impeller semi-vortex  
 Max. solid handling 10 mm  
 Suitable for:  
 sand carrying water, sludge, bentonite

## Electric motor

Dry-type submersible induction motor  
 Insulation class E 2Poles 2830 1/min  
 Starting mode Directly  
 Rated voltage 230 V 50 Hz 1~  
 Power uptake 0,82 kW  
 Rated power 0,55 kW  
 Rated current 3,6 A  
 Start current 10,9 A

## Cable

10m H07RN-F 3Cx1mm<sup>2</sup>

## Motor Protection

Circle thermal protector  
 (snap-action bi-metal device)

## Shaft seal

Double inside mechanical seal in oil bath  
 additional lubrication by oil lifting device

Primary seal  
 Silicon carbide on silicon carbide  
 Secondary seal  
 Carbon on ceramic

## Bearings

Shielded ball bearings, maintenance-free

## Materials

Impeller	Chromium iron casting
Agitator	Chromium iron casting
Pump casing	FCD700 (EN-GJS-700-2)
Motor Frame	Aluminium die casting
Shaft	Stainless steel SUS403

## Discharge size

2" (50mm) BS-Coupling (threaded flange)

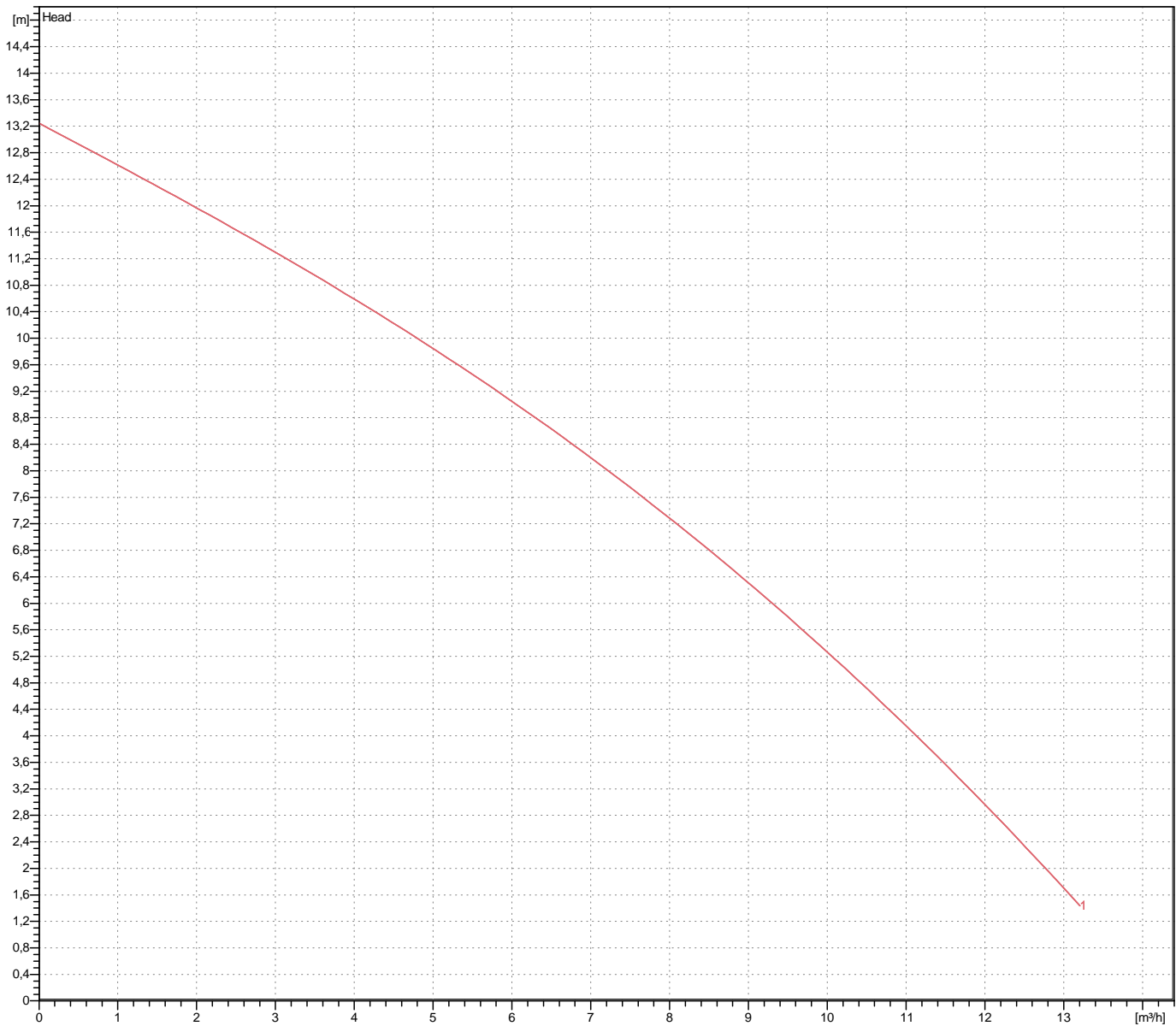
## Weight

15 kg (dry weight of the pump only without cable)

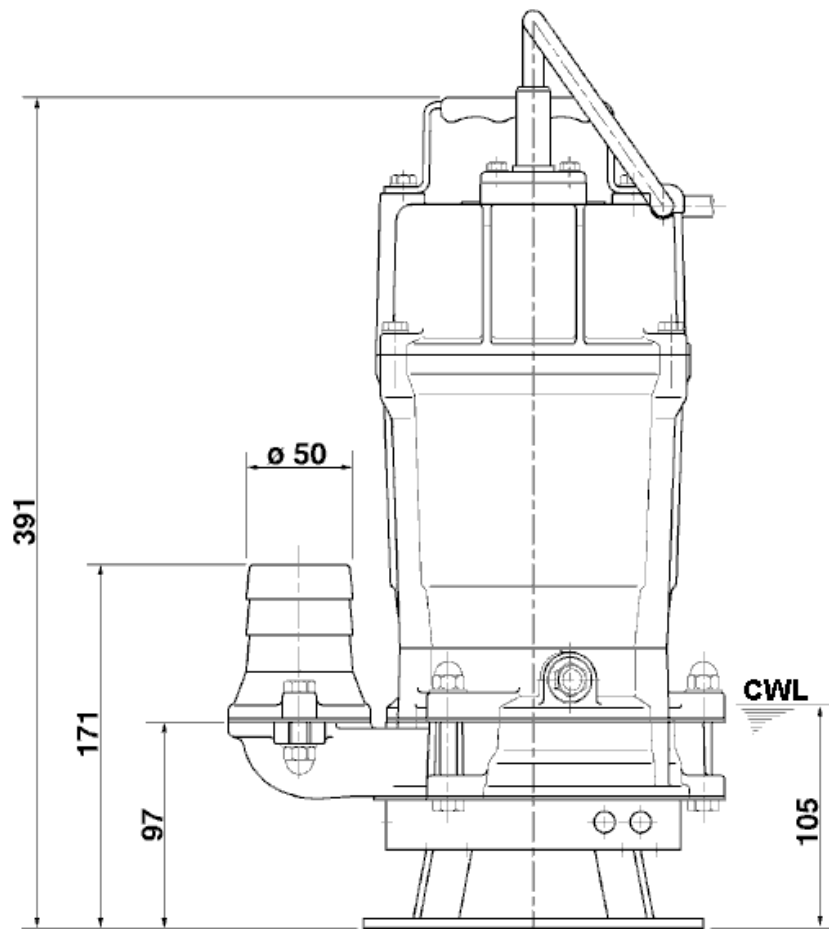
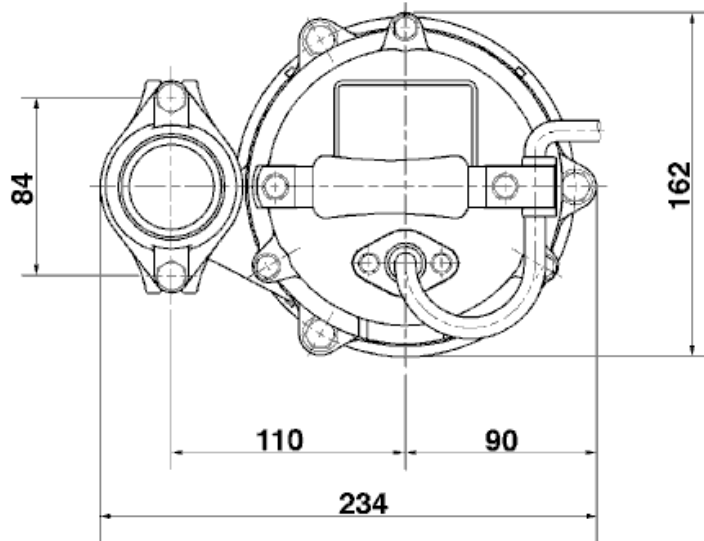
# Performance curve

## HSD2.55S-52

Discharge port	2"
Head	13,2 m
Flow	13,2 m <sup>3</sup> /h
Rated power	0,55 kW
Power input	0,82 kW
Phases	1~
Voltages	230 V
Frequency	50 Hz
Rated current	3,6 A
Starting current	10,91 A
Number of poles	2
Speed	2830 1/min
Starting mode	Directly
Insulation class	E



# Dimensions HSD2.55S-52



mm

HSD2.55S-52

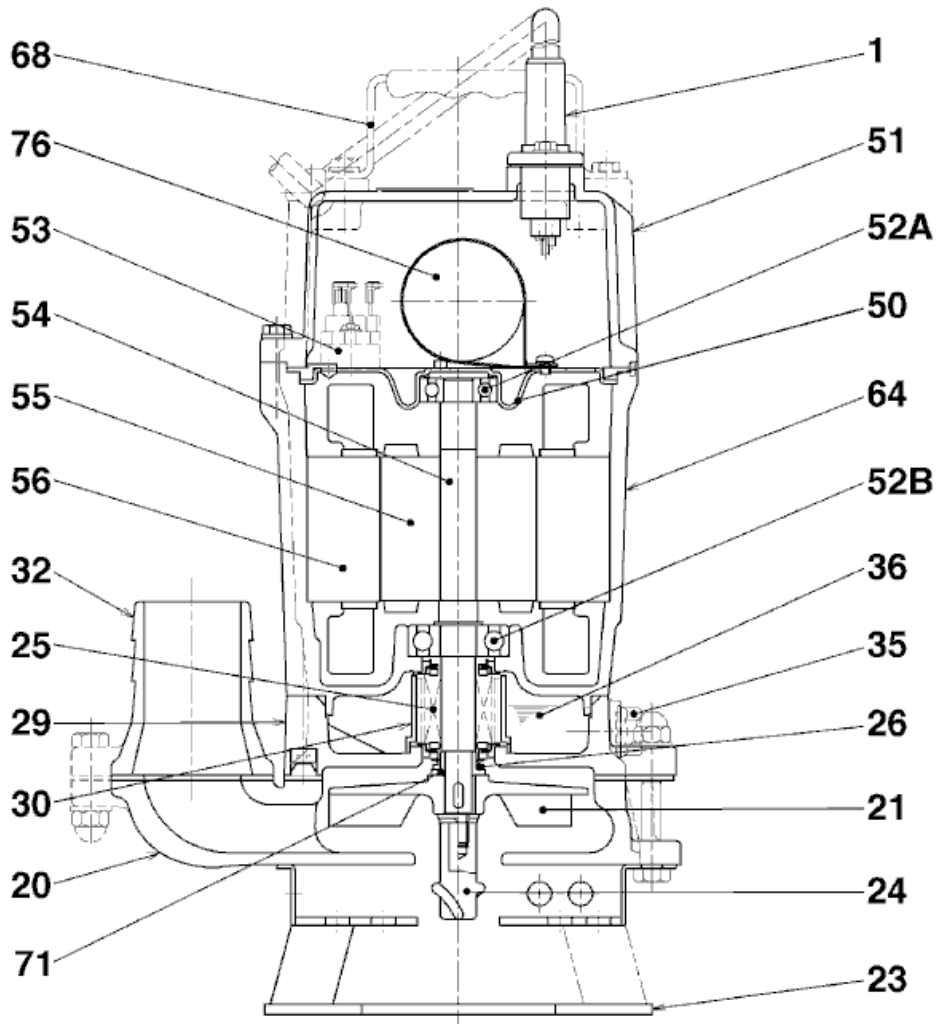
CWL: Continuous running water level  
LWL: Lowest running water level

 **TSURUMI PUMP**

Tsurumi Europe GmbH  
25.11.2012 V.15 / 1.10.2012

Heltofer Str. 14 \* 40472 Düsseldorf \* Germany  
Tel.: +49-211-4179373 sales@tsurumi.eu  
Fax: +49-211-4791429 www.tsurumi.eu

# Sectional drawing HSD2.55S-52



**HSD2.55S-52**

No.	Denomination	Remark	No.	Denomination	Remark
1	Cable	H07RN-F3Cx1mm=x10m	53	Motor Protector	.
20	Pump casing	FCD700 (EN-GJS-700-2)	54	Shaft	Stainless steel SUS403
21	Impeller	Chromium iron casting	55	Rotor	.
23	Strainer	SUS 1.0040 + steelplate	56	Stator	.
24	Agitator	Chromium iron casting	64	Motor Frame	Aluminium die casting
25	Mechanical seal	W-14VL	68	Handle	Steel plate / natural rubber
26	V-ring	Butadiene-acrylonitrile-rubber	71	Shaft protection sleeve	Stainless steel SUS304
29	Oil casing	FC200 (EN-GJL-200)	76	Condenser	.
30	Oil distributor	Plastic			
32	Pressure socket	Aluminium die casting			
35	Oil screw	Stainless steel SUS304			
36	Lubricant	Turbine oil (ISO VG32)			
50	Motor cover	Aluminium die casting			
51	Main cover	Aluminium die casting			
52A	Upper bearing	6201ZZC3			
52B	Lower bearing	6302ZZC3			