

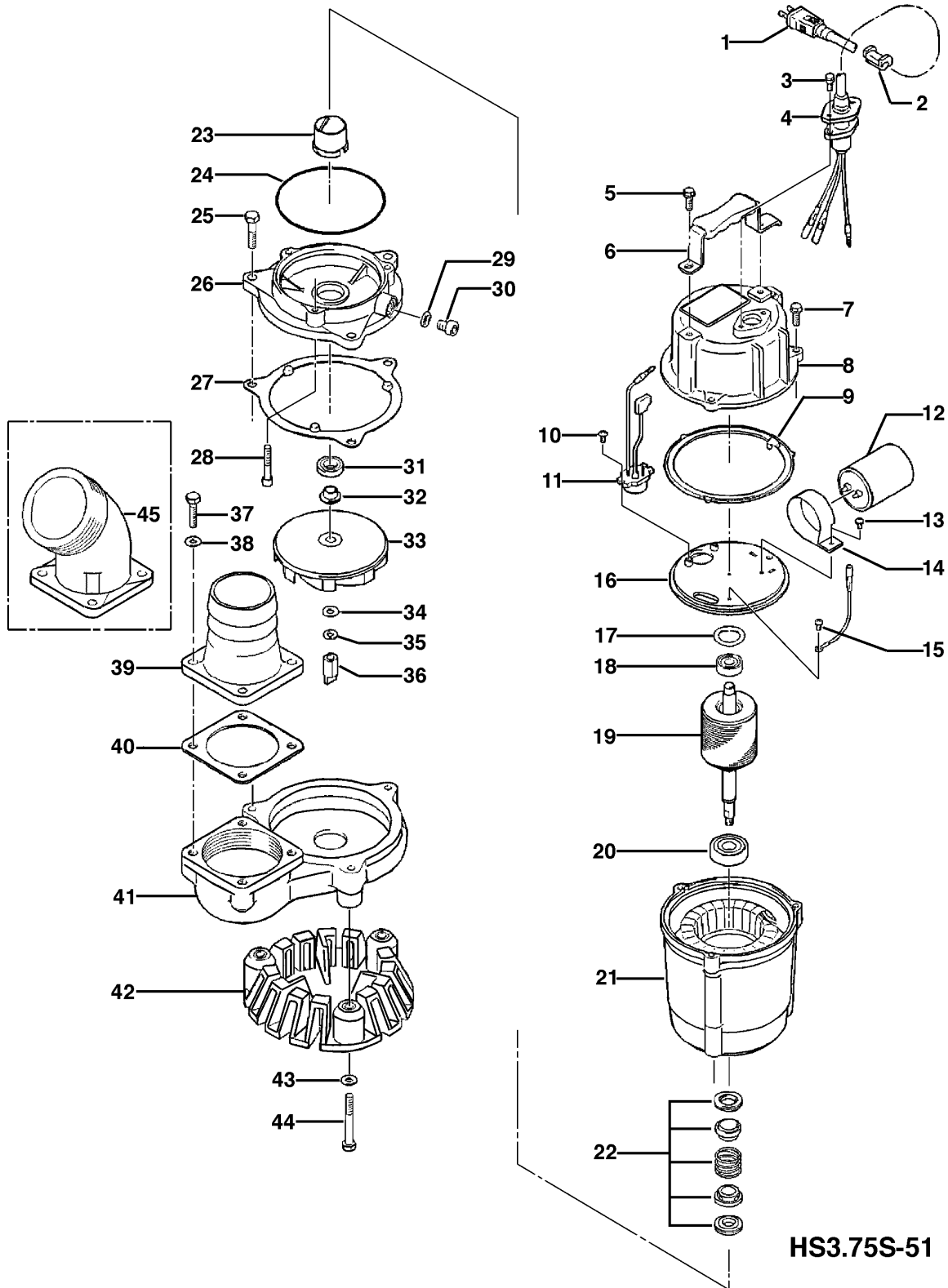
HS3.75S-51

Kontroll-Nr. --

25/11/2012 V.15b / 2.05.2012

HS3.75S-51			
Item	Item no.	Description	Quant.
1	001-453-18	Cable Set (10m) 230V-50HZ(EUR) H07RN3Cx1mm2(CEE-W/PLUG) LB(HAR)	1
2	010-134-18	Cable Clip Rubber HS3-4 NBR	1
2	010-163-16	Cable Clip Rubber HS2.4S NBR	1
3	140-427-17	Hex Bolt M5 SWRM	2
4	003-190-10	Gland EN X5CrNiMo17-2-2	1
5	140-032-37	Hex Bolt M6x15 SWRM	2
6	068-272-18	Handle HS2.4(S)-50/60 ABS	1
7	140-396-16	Hex Bolt (w/Plain Washer) M6x20 SUS304 (EN X5CrNi18-10) Stainless Steel	3
8	051-000-21	Motor Head Cover ADC	1
9	121-000-72	Packing d121xd140x2.8t NBR	1
10	143-127-13	Pan Screw (w/Spring Washer/Plain Washer) M4x8 SWRM	2
11	053-001-35	Motor Protector 220/230/240V-50HZ KA142-BPVL25F (T.C)	1
12	076-000-30	Capacitor 220/230/240V-50HZ 20MF-440VAC(d45x85L)	1
13	143-086-22	Pan Screw (w/Spring Washer) M4x8 SWRM	1
14	127-000-35	Capacitor Fixing Plate 220/230/240V-50HZ d45	1
15	140-000-44	Hex Bolt M4x8 SWRM	1
16	050-000-48	Motor Bracket SECD	1
17	142-192-16	Wave Washer #6201 SK-5	1
18	052-100-15	Bearing 6201ZZC3	1
19	055-001-23	Rotor w/Bearing	1
20	052-152-12	Bearing 6302ZZC3	1
21	056-004-12	Stator 220/230/240V-50HZ w/Frame	1
22	025-291-10	Mechanical Seal W-14VL SiC+CCBN	1
23	030-000-09	Oil Lifter W-14VL Resin	1
24	122-133-17	O-Ring G-110 NBR	1
25	140-056-37	Hex Bolt M6x30 SWRM	3
26	029-000-74	Oil Casing HS3.75S/HS2.75S FCD	1
27	121-000-74	Packing HS3.75S/HS2.75S NR	1
28	140-256-26	Hex. Socket Cap Bolt M6x35 SCM	3
29	121-246-11	Packing d10.3xd16x2t PE	1
30	035-124-12	Air Tightness Test Plug M10x15 SUS304	1
31	122-441-11	V-Ring VR-14 NBR	1
32	071-292-14	Shaft Sleeve LB3-250/480 SUS304 (EN X5CrNi18-10) Stainless Steel	1
33	021-007-54	Impeller (50HZ) HSZ2.75S-51 Urethane Rubber	1
33	021-007-55	Impeller (60HZ) HSZ2.75S-61 Urethane Rubber	1
34	142-127-10	Plain Washer M8 SUS304 (EN X5CrNi18-10) Stainless Steel	1
35	142-163-18	Spring Washer M8 SUS304	1
36	024-174-13	Stirrer HS2.4(S)(M) Sintered Alloy	1
37	140-076-33	Hex Bolt M10x30 SWRM	4
38	142-128-24	Plain Washer M10 (SPC)	4
39	032-000-36	Hose Coupling (for EUR) BSPT-3 FC	1
39	032-000-34	Hose Coupling NPT-3(45) FC	1
40	121-181-17	Packing KT-15 NBR	1
41	020-001-57	Pump Casing HS3.75S/HS2.75S FCD	1
42	023-000-77	Strainer Stand HS3.75S PVC	1
43	142-127-23	Plain Washer M8 SPC	3
44	140-057-38	Hex Bolt M8x35 SWRM	3
45	032-000-36	Hose Coupling (for EUR) BSPT-3 FC	1
	173-001-31	Packing O-Ring Set	1
	##oilVG32	ml Turbine Oil ISO VG32	160

Exploded View HS3.75S-51



HS3.75S-51