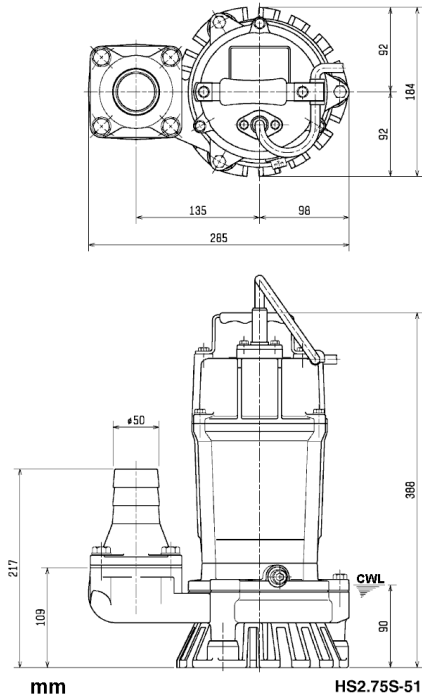
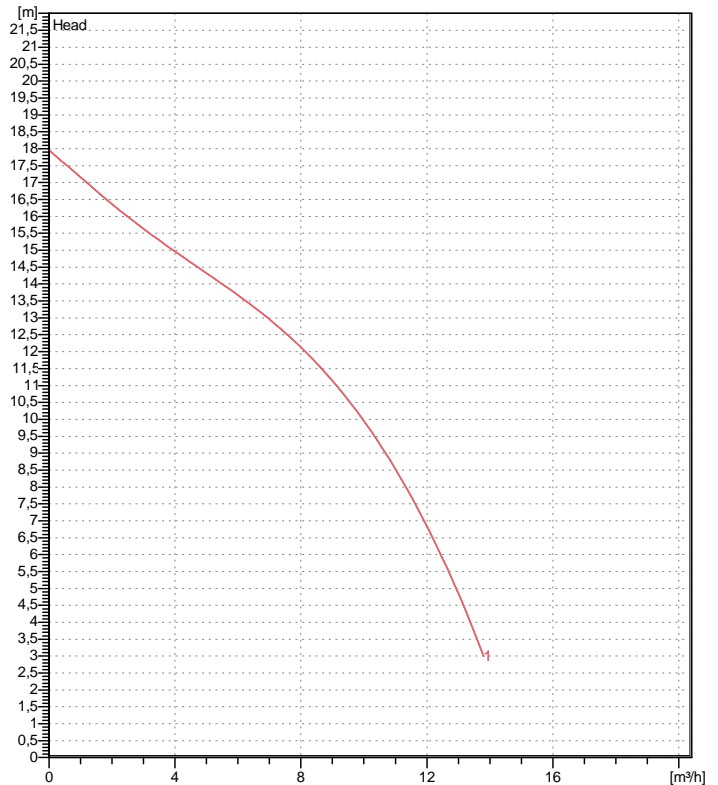


Data sheet HS2.75S-51



CWL: Continuous running water level



Specification

Electric submersible pump
 Degree of protection IP 68
 Depth of submersion max. 10 m
 Type of impeller semi-vortex
 Max. solid handling 7 mm
 Suitable for:
 rain water, ground water, sand water

Electric motor

Dry-type submersible induction motor
 Insulation class E 2Poles 2812 1/min
 Starting mode Directly
 Rated voltage 230 V 50 Hz 1~
 Power uptake 1,05 kW
 Rated power 0,75 kW
 Rated current 4,6 A
 Start current 14,0 A

Cable

10m H07RN-F 3Cx1mm²

Motor Protection

Miniature protector in windings
 (snap-action bi-metal device)

Shaft seal

Double inside mechanical seal in oil bath
 additional lubrication by oil lifting device

Primary seal
 Silicon carbide on silicon carbide
 Secondary seal
 Carbon on ceramic

Bearings

Shielded ball bearings, maintenance-free

Materials

| | |
|-------------|------------------------|
| Impeller | Urethane rubber |
| Pump casing | FCD700 (EN-GJS-700-2) |
| Motor Frame | Aluminium die casting |
| Shaft | Stainless steel SUS403 |

Discharge size

2" (50mm) BS-Coupling (threaded flange)

Weight

18,2 kg (dry weight of the pump only without cable)

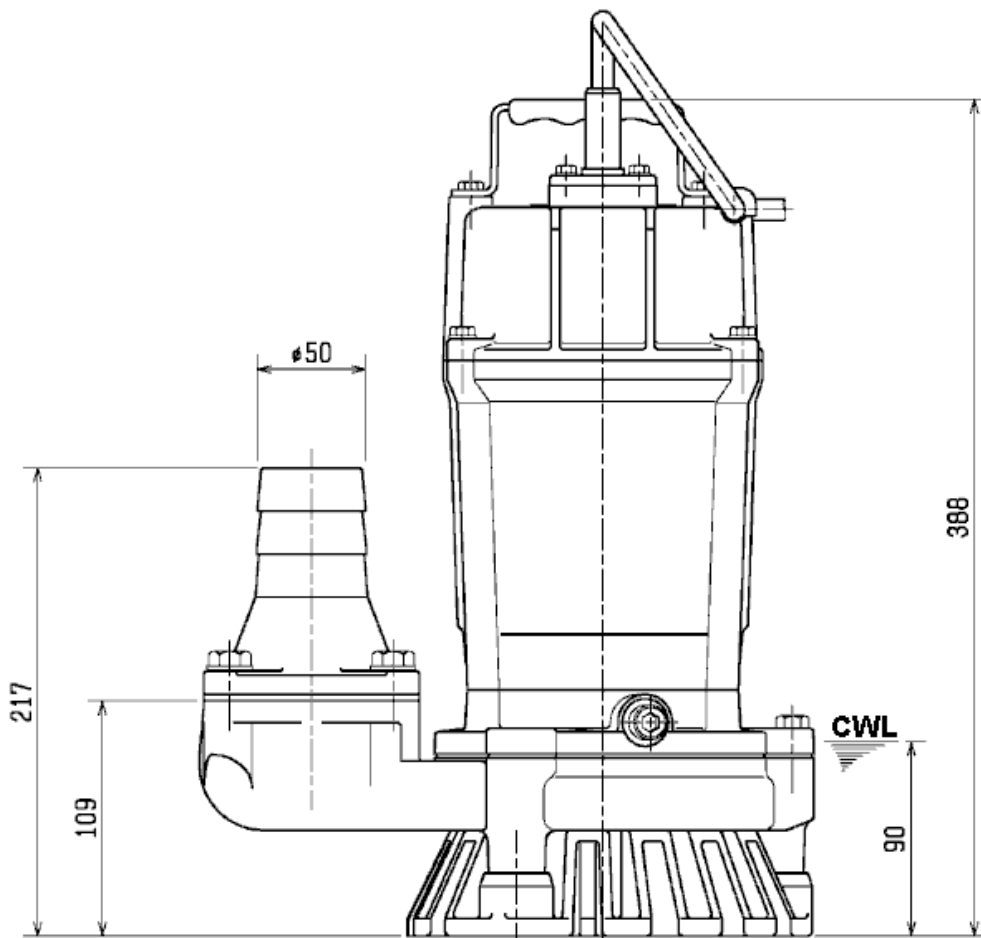
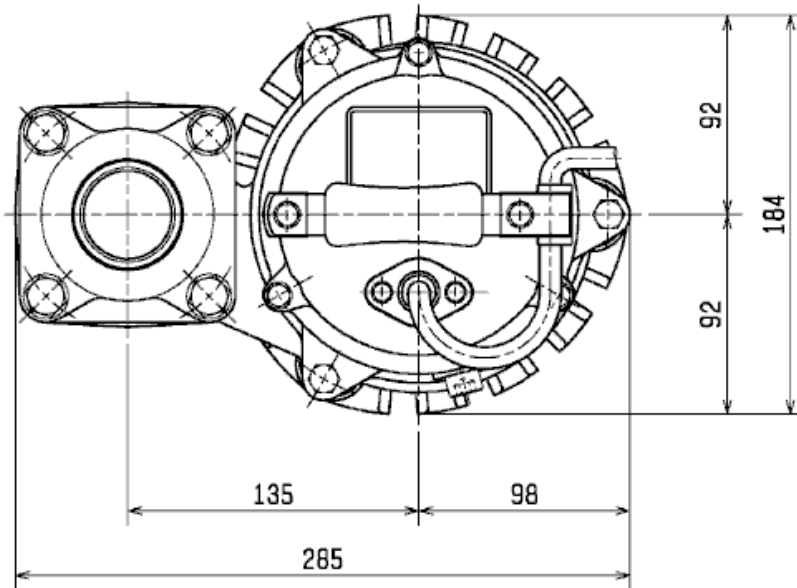
Performance curve

HS2.75S-51

| | |
|------------------|------------------------|
| Discharge port | 2" |
| Head | 18,0 m |
| Flow | 13,8 m ³ /h |
| Rated power | 0,75 kW |
| Power input | 1,05 kW |
| Phases | 1~ |
| Voltages | 230 V |
| Frequency | 50 Hz |
| Rated current | 4,6 A |
| Starting current | 13,98 A |
| Number of poles | 2 |
| Speed | 2812 1/min |
| Starting mode | Directly |
| Insulation class | E |



Dimensions HS2.75S-51



mm

HS2.75S-51

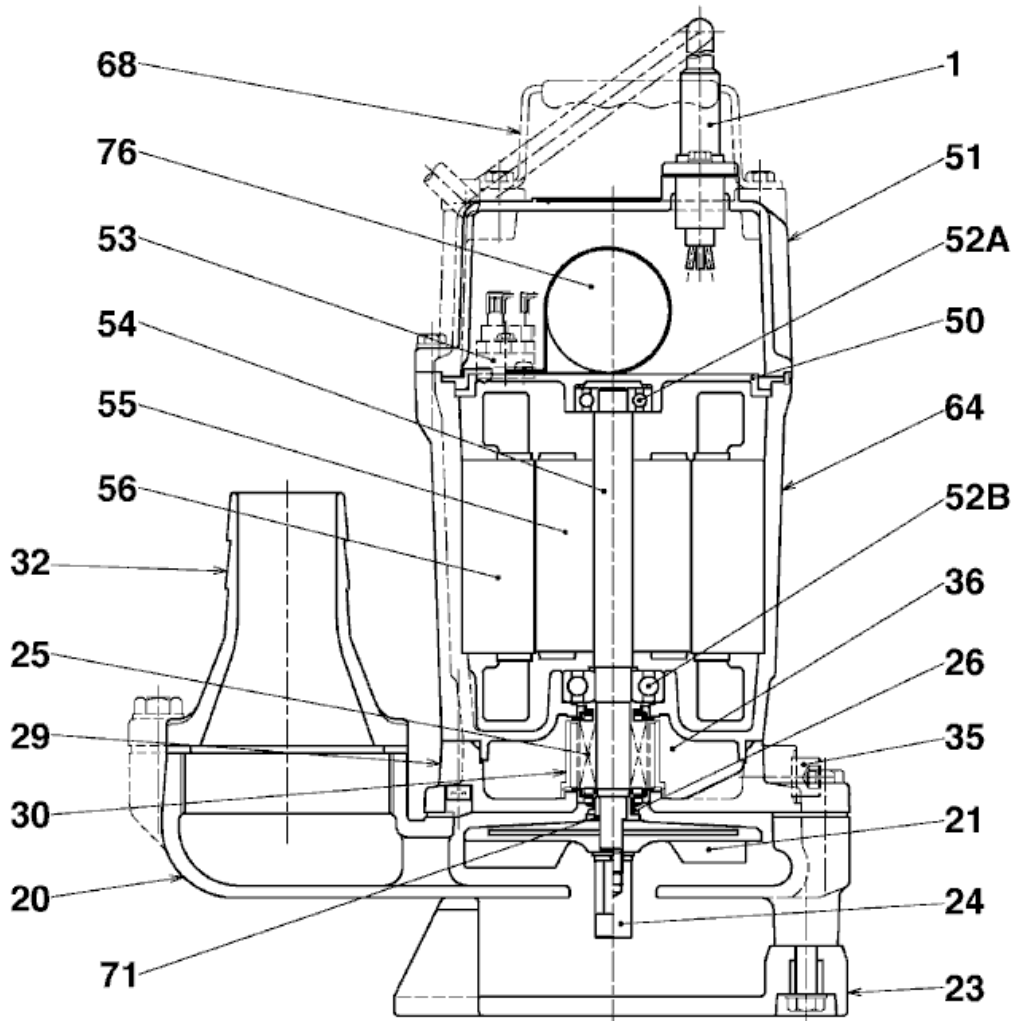
CWL: Continuous running water level
LWL: Lowest running water level

 **TSURUMI PUMP**

Tsurumi Europe GmbH
25.11.2012 V.15 / 1.10.2012

Heltorfer Str. 14 * 40472 Düsseldorf * Germany
Tel.: +49-211-4179373 sales@tsurumi.eu
Fax: +49-211-4791429 www.tsurumi.eu

Sectional drawing HS2.75S-51



HS2.75S-51

| No. | Denomination | Remark | No. | Denomination | Remark |
|-----|-----------------|--------------------------------|-----|-------------------------|------------------------------|
| 1 | Cable | H07RN-F3Cx1mm=x10m | 53 | Motor Protector | . |
| 20 | Pump casing | FCD700 (EN-GJS-700-2) | 54 | Shaft | Stainless steel SUS403 |
| 21 | Impeller | Urethane rubber | 55 | Rotor | . |
| 23 | Strainer | PVC | 56 | Stator | . |
| 24 | Agitator | Sintered alloy | 64 | Motor Frame | Aluminium die casting |
| 25 | Mechanical seal | W-14VL | 68 | Handle | Steel plate / natural rubber |
| 26 | V-ring | Butadiene-acrylonitrile-rubber | 71 | Shaft protection sleeve | Stainless steel SUS304 |
| 29 | Oil casing | FC200 (EN-GJL-200) | 76 | Condenser | . |
| 30 | Oil distributor | Plastic | | | |
| 32 | Pressure socket | Aluminium die casting | | | |
| 35 | Oil screw | Stainless steel SUS304 | | | |
| 36 | Lubricant | Turbine oil (ISO VG32) | | | |
| 50 | Motor cover | Aluminium die casting | | | |
| 51 | Main cover | Aluminium die casting | | | |
| 52A | Upper bearing | 6201ZZC3 | | | |
| 52B | Lower bearing | 6302ZZC3 | | | |