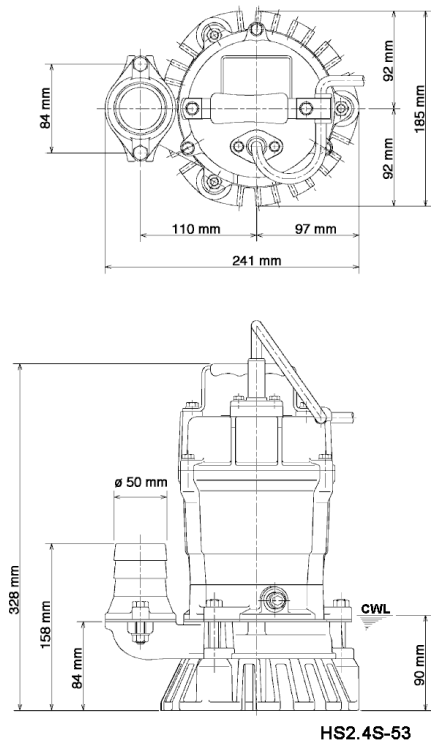
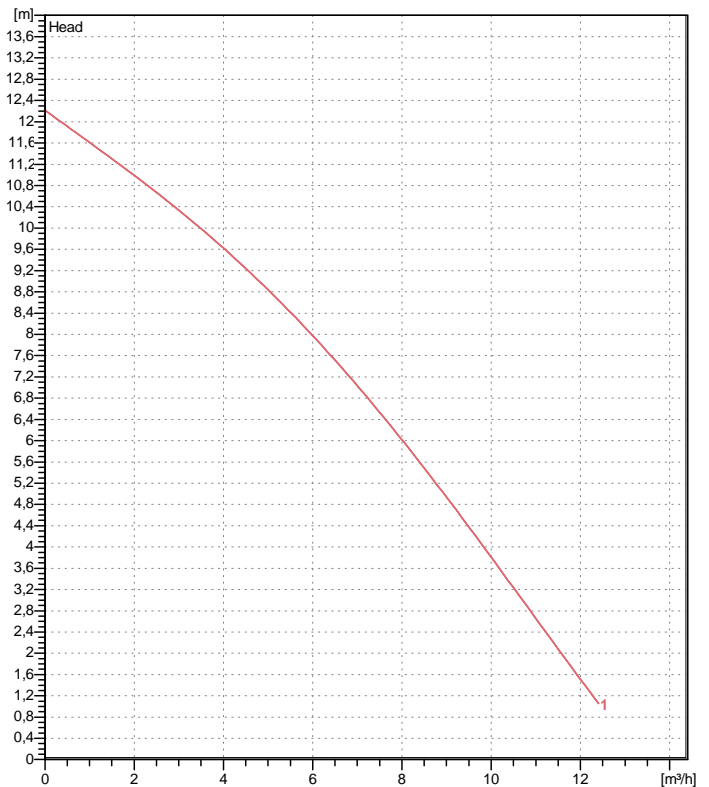


Data sheet HS2.4S-53



CWL: Continuous running water level



Specification

Electric submersible pump
 Degree of protection IP 68
 Depth of submersion max. 10 m
 Type of impeller semi-vortex
 Max. solid handling 7 mm
 Suitable for:
 rain water, ground water, sand water

Electric motor

Dry-type submersible induction motor
 Insulation class E 2Poles 2723 1/min
 Starting mode Directly
 Rated voltage 230 V 50 Hz 1~
 Power uptake 0,58 kW
 Rated power 0,40 kW
 Rated current 2,6 A
 Start current 6,8 A

Cable

H07RN-F 3Cx1mm²

Motor Protection

Miniature protector in windings
 (snap-action bi-metal device)

Shaft seal

Double inside mechanical seal in oil bath
 additional lubrication by oil lifting device

Primary seal
 Silicon carbide on silicon carbide
 Secondary seal
 Carbon on ceramic

Bearings

Shielded ball bearings, maintenance-free

Materials

Impeller	Urethane rubber
Pump casing	FCD700 (EN-GJS-700-2)
Motor Frame	Aluminium die casting
Shaft	Stainless steel SUS403

Discharge size

2" (50mm) BS-Coupling (threaded flange)

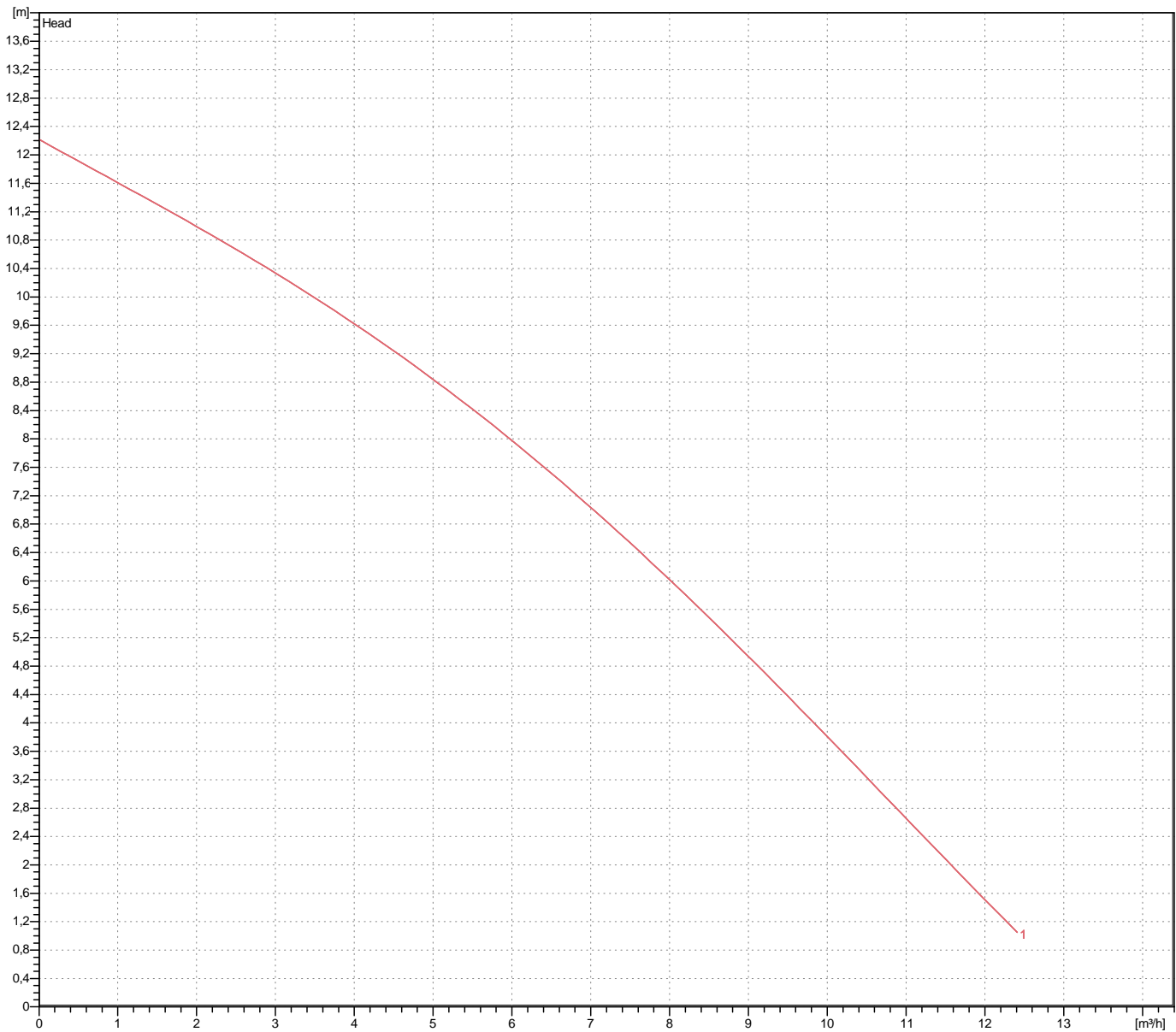
Weight

11,3 kg (dry weight of the pump only without cable)

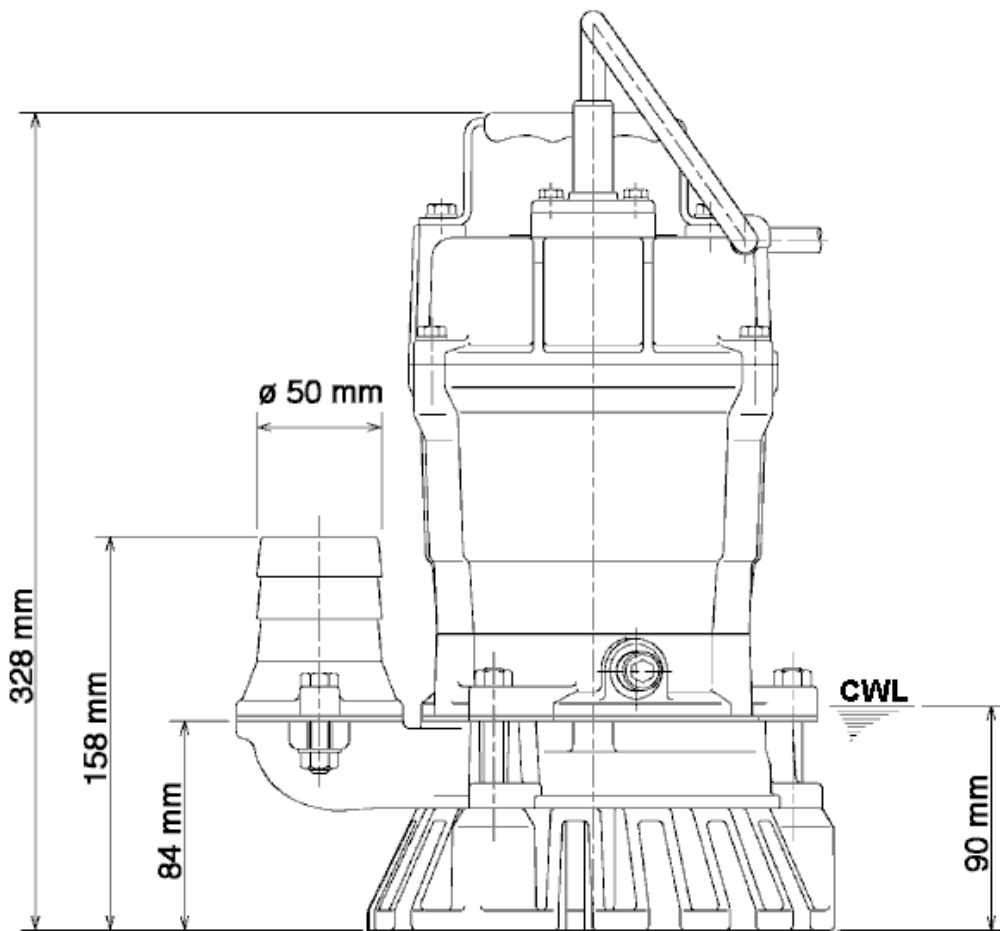
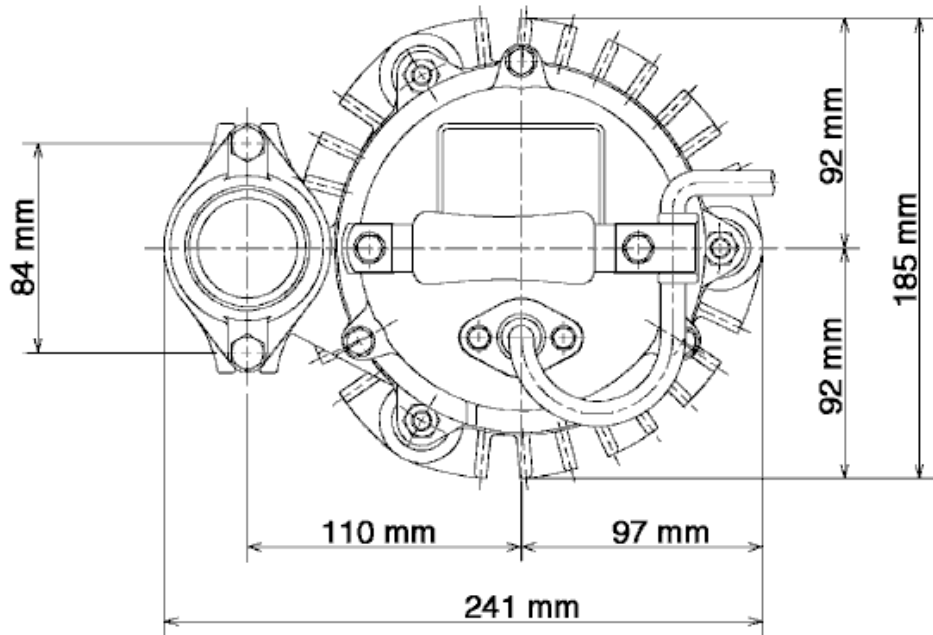
Performance curve

HS2.4S-53

Discharge port	2"
Head	12,2 m
Flow	12,4 m ³ /h
Rated power	0,40 kW
Power input	0,58 kW
Phases	1~
Voltages	230 V
Frequency	50 Hz
Rated current	2,6 A
Starting current	6,79 A
Number of poles	2
Speed	2723 1/min
Starting mode	Directly
Insulation class	E



Dimensions HS2.4S-53



HS2.4S-53

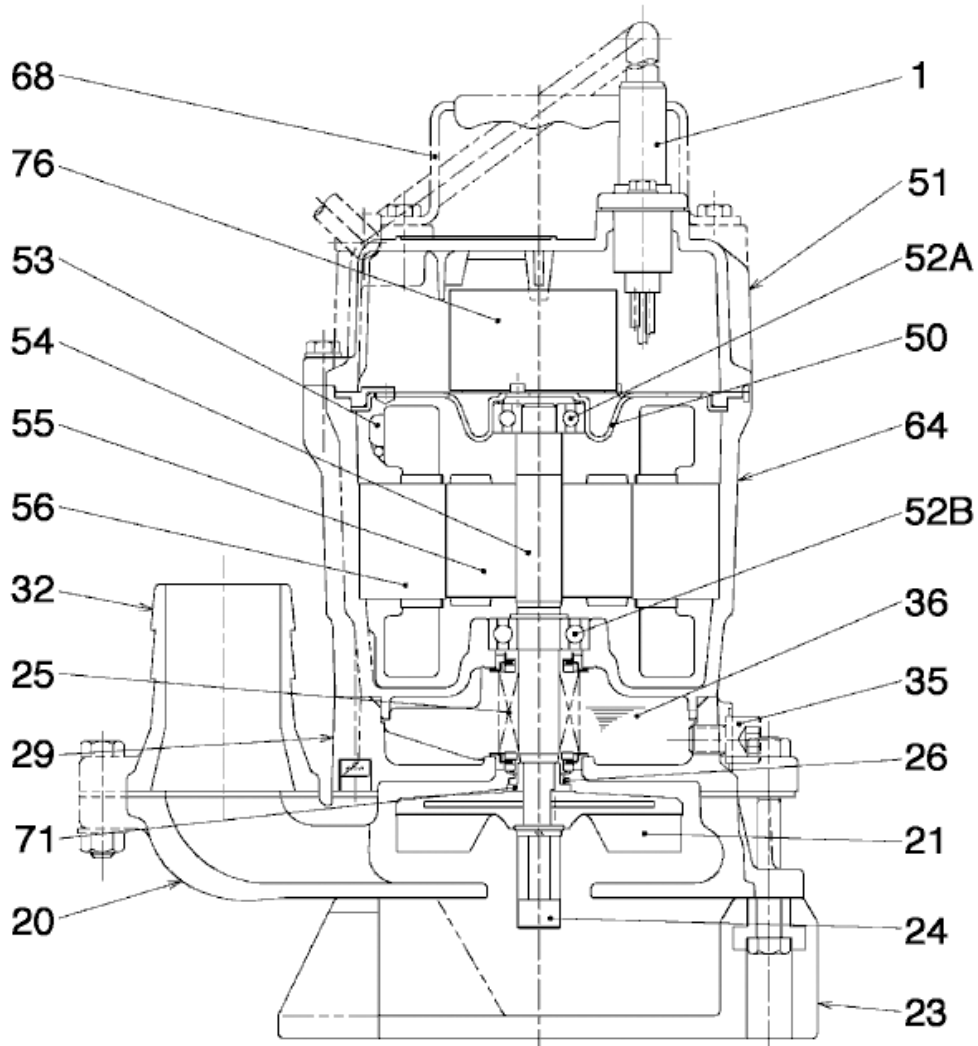
CWL: Continuous running water level
LWL: Lowest running water level

 **TSURUMI PUMP**

Tsurumi Europe GmbH
25.11.2012 V.15 / 1.10.2012

Heltorf Str. 14 * 40472 Düsseldorf * Germany
Tel.: +49-211-4179373 sales@tsurumi.eu
Fax: +49-211-4791429 www.tsurumi.eu

Sectional drawing HS2.4S-53



HS2.4S-53

No.	Denomination	Remark	No.	Denomination	Remark
1	Cable	H07RN-F3Cx1mm=x10m	54	Shaft	Stainless steel SUS403
20	Pump casing	FCD700 (EN-GJS-700-2)	55	Rotor	.
21	Impeller	Urethane rubber	56	Stator	.
23	Strainer	PVC	64	Motor Frame	Aluminium die casting
24	Agitator	Sintered alloy	68	Handle	Steel plate / natural rubber
25	Mechanical seal	W-14VL	71	Shaft protection sleeve	Stainless steel SUS304
26	V-ring	Butadiene-acrylonitrile-rubber	76	Condenser	.
29	Oil casing	FC200 (EN-GJL-200)			
32	Pressure socket	Aluminium die casting			
35	Oil screw	Stainless steel SUS304			
36	Lubricant	Turbine oil (ISO VG32)			
50	Motor cover	Steel plate			
51	Main cover	Aluminium die casting			
52A	Upper bearing	6201ZZC3			
52B	Lower bearing	6202ZZC3			
53	Motor Protector	.			